

RE 29 055-M/08.00

Replaces: 03.00



4/2 and 4/3 proportional directional control valve, direct operated, without electrical position feedback, sea water resistant Type 4WRA 6...JK31

Features of the sea water resistant version

The following modifications have been carried out to the standard version:

- The external metal components have been zinc galvanised (solenoid, housing), aluminium nickel plated (component plug) and plastic (electronics housing)
- Sea water resistance is identified by the code „JK31“ in the ordering code

Note:

The valve fixing screws have to be separately ordered:

4 off M5 x 50, DIN 912-10.9 NEL¹⁾, $M_A = 8,9$ Nm, material no.: **00011396**

¹⁾ The code NEL stands for non-electrolytically applied zinc coatings which contain a lubrication additive for the reduction of friction in accordance with ISO/WD 10683, colour silver.

Further information can be obtained from the standard documentation RE 29 055.

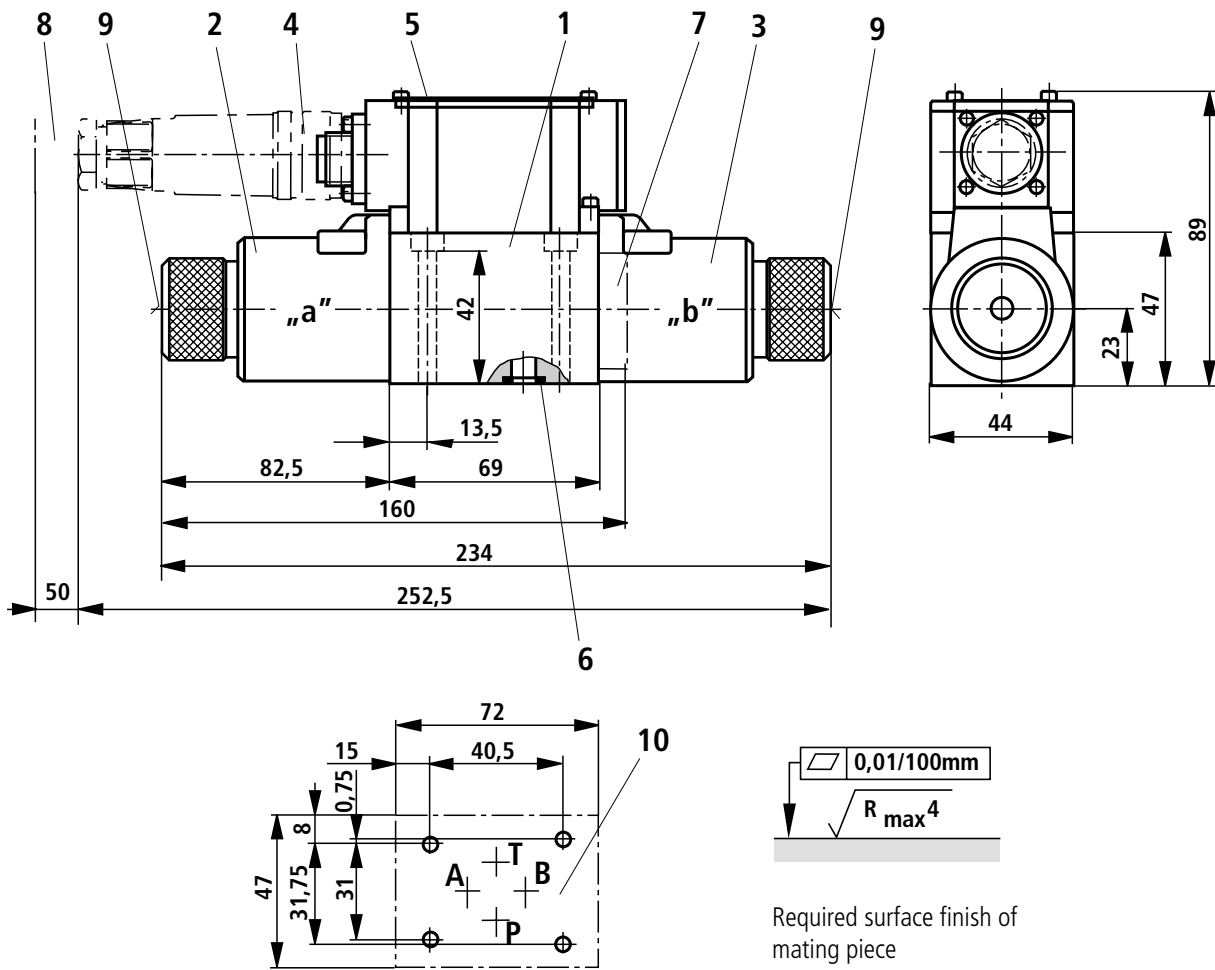
Ordering details, preferred types

4WRA		6		– 2X / G24		J	K31/	V	*								
Nominal size 6	= 6		<table style="border: none;"> <tr> <td style="border: none;">K31 =</td> <td style="border: none;">With component plug to E DIN 43 563-AM6-3 Without plug-in connector Plug-in connector – separate order, see standard documentation RE 29 055</td> </tr> <tr> <td style="border: none;">J =</td> <td style="border: none;">Sea water resistant</td> </tr> <tr> <td style="border: none;">No code =</td> <td style="border: none;">Without hand override</td> </tr> <tr> <td style="border: none;">N =</td> <td style="border: none;">With hand override</td> </tr> </table>							K31 =	With component plug to E DIN 43 563-AM6-3 Without plug-in connector Plug-in connector – separate order, see standard documentation RE 29 055	J =	Sea water resistant	No code =	Without hand override	N =	With hand override
K31 =	With component plug to E DIN 43 563-AM6-3 Without plug-in connector Plug-in connector – separate order, see standard documentation RE 29 055																
J =	Sea water resistant																
No code =	Without hand override																
N =	With hand override																

Preferred types	
Type	Material number
4WRA 6 EA15-2X/G24NJK31/V	00952255
4WRA 6 EA30-2X/G24NJK31/V	00952256

Unit dimensions

(Dimensions in mm)



- | | |
|--|---|
| <ul style="list-style-type: none"> 1 Valve housing 2 Proportional solenoid "a" 3 Proportional solenoid "b" 4 Plug-in connector to E DIN 43 563-BF6-3/Pg11, separate order 5 Name plate 6 R-ring 9.81 x 1.5 x 1.78 (Ports A, B, P, T) 7 Plug for valves with one solenoid (2 switching positions, versions EA or WA) | <ul style="list-style-type: none"> 8 Space required for the connection cable and to be able to remove the plug-in connector 9 Hand override 10 Machined valve mounting surface, connection locations to DIN 24 340 form A, ISO 4401 and CETOP-RP 121 H |
|--|---|

**Mannemann Rexroth AG
Rexroth Hydraulics**

D-97813 Lohr am Main
 Jahnstraße 3-5 • D-97816 Lohr am Main
 Telefon 0 93 52 / 18-0
 Telefax 0 93 52 / 18-23 58 • Telex 6 89 418-0
 eMail product.support@rexroth.de
 Internet www.rexroth.com

Mannemann Rexroth Limited

Cromwell Road, St Neots,
 Cambs, PE19 2ES
 Tel: 0 14 80/22 32 56
 Fax: 0 14 80/21 90 52
 E-mail: info@rexroth.co.uk

The specified data is for product description purposes only and may not be deemed to be guaranteed unless expressly confirmed in the contract.

All rights reserved – Subject to revision